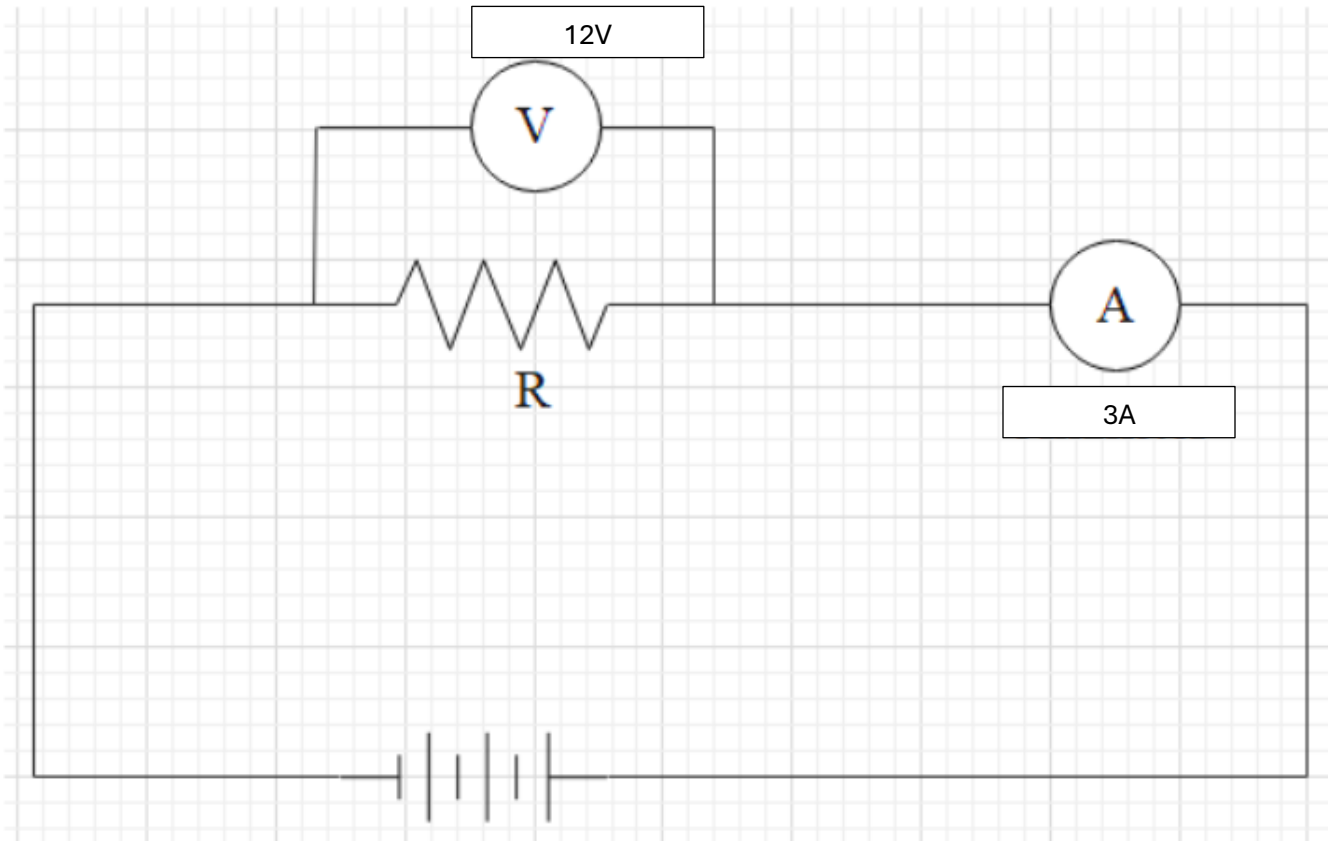
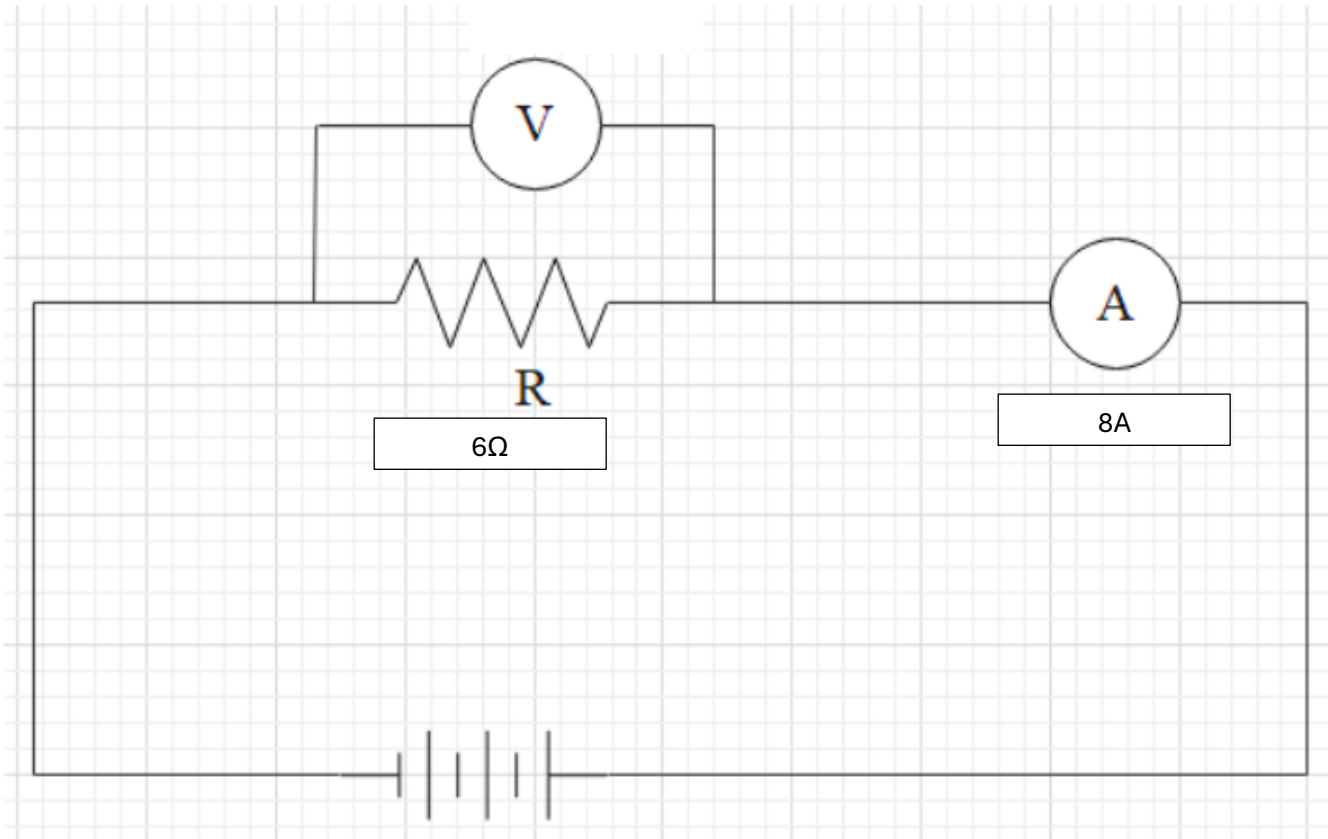


Name: _____

Date: _____



1. Draw an arrow to indicate the direction of current.
2. Draw another arrow to indicate the direction of electron flow.
3. What is the resistance of the resistor? _____
4. If the resistor uses 3.6 kJ of energy, how much charge moves across the resistor? _____
5. How long does it take for this much charge be moved? _____



6. How much charge is moved at a point in 3 minutes? _____
7. How much potential energy does the resistor use to move this much charge? _____
8. What is the potential difference across the resistor? _____