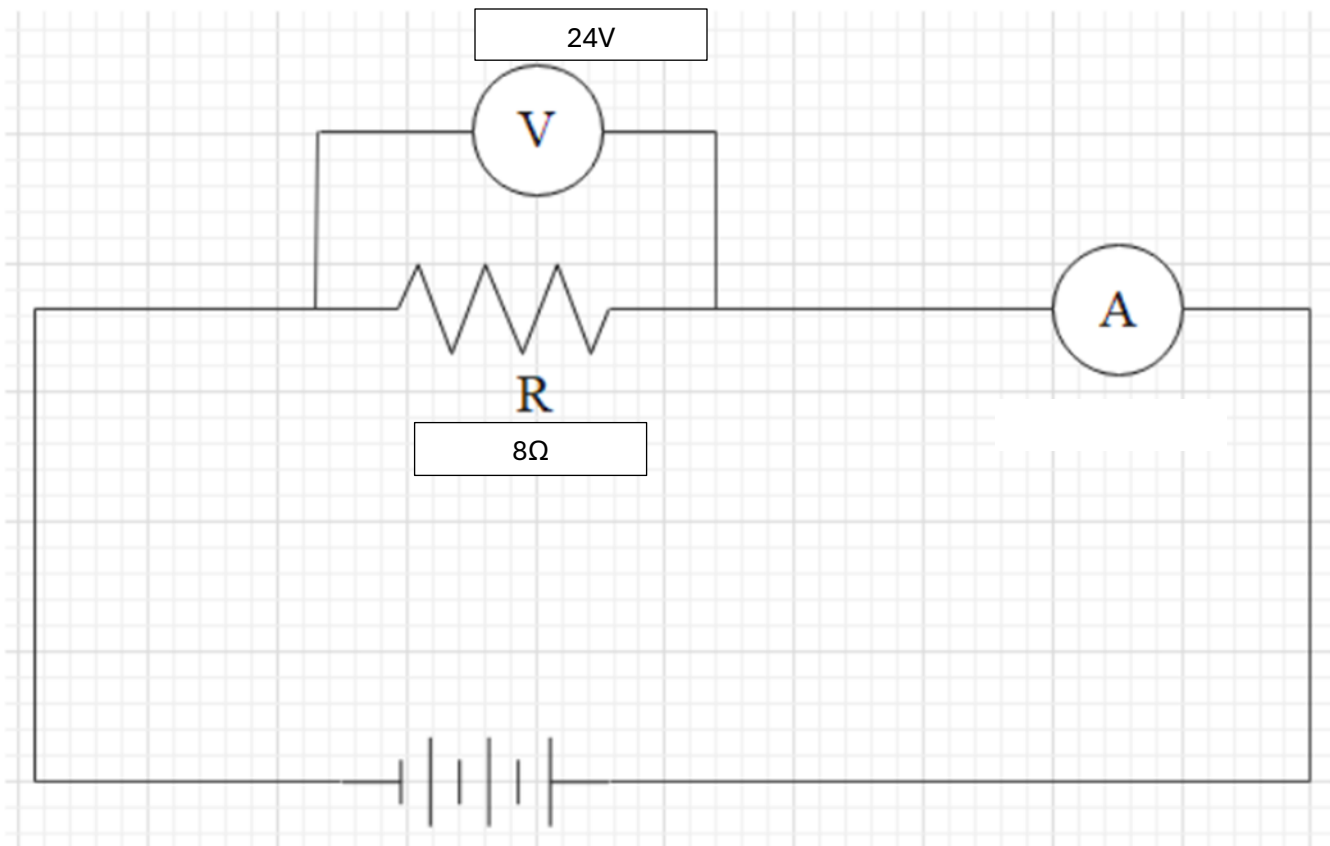
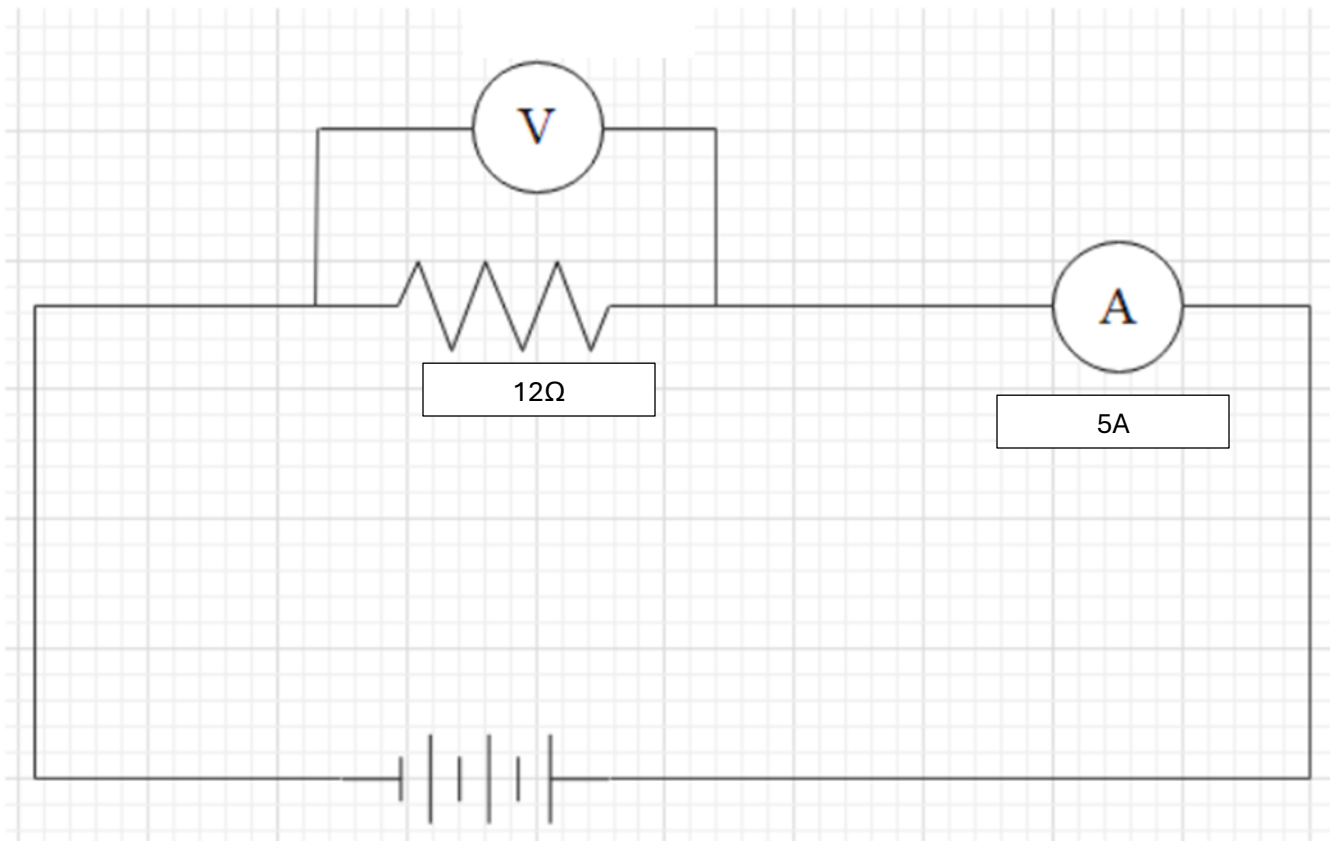


Simple Circuit Practice Exercises



1. Draw an arrow in the direction of current.
2. Draw another arrow, this time in the direction of electron flow.
3. What is the current of the circuit?_____
4. How much energy does the resistor use to move 30C of charge?_____
5. After 2 minutes, how much charge passes through the circuit?_____



6. What is the potential difference across the resistor? _____
7. How much charge passes through the circuit in 5 minutes? _____
8. How much energy is needed to move this much charge? _____

Other Important things to remember:

- Circuit elements & what they do
- Units (amperes, volts, ohms, joules, coulombs, etc. and the letters that represent them)